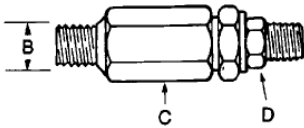


Supply Line Swivels

Used to connect flexible lines to components or devices where some movement is present. Not recommended for use as a live swivel where constant rotation is a requirement.

Supply Line Swivels—Straight Swivels (one swivel section)

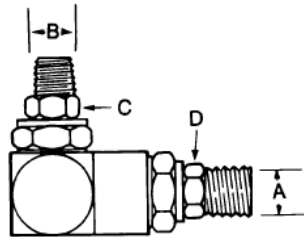
For lubricant supply lines. Swivels have steel bodies and nitrile packing.



Part No.	A (in.)	B (in.)	C (in.)	D (in.)	Working Pressure
82080	1/2-27	1/2-27	7/8	9/16	5,000 psig 340 bar
83938	1/4 NPTF	1/4 NPTF	7/8	9/16	
81728	3/8 NPTF	1/2 NPTF	1 1/4	1 1/16	
82072	1/2 NPTF	1/2 NPTF	1 1/4	7/8	

Supply Line Swivels—90° Angle Swivels (one swivel section)

For lubricant supply lines. Swivels have steel bodies and nitrile packing.

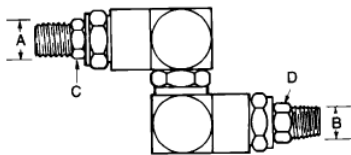


Part No.	A in.	B in.	C in.	D in.	Working Pressure
81386	1/8 NPTF	1/2-27	9/16	7/16	5,000 psig 340 bar
81723	1/8 NPTF	1/8 NPTF	5/8	7/16	
81974	1/2-27	1/4 NPTF	9/16	9/16	
82251	1/8 NPTF	1/8 NPTF	7/16	7/16	
82087	1/2 NPTF	1/2 NPTF	7/8	7/8	

Supply Line Swivels—Universal Swivels

(three swivel sections)

For lubricant supply lines. Swivels have steel bodies and nitrile packing.



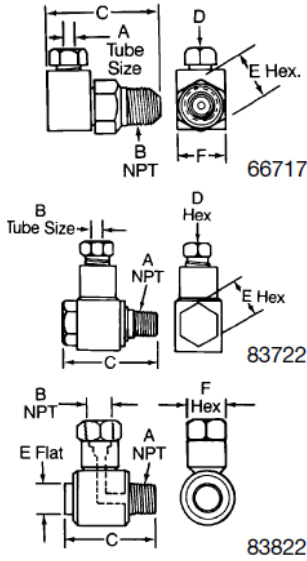
Part No.	A in.	B in.	C in.	D in.	Working Pressure
82252	1/8 NPTF	1/8 NPTF	7/16	7/16	5,000 psig 340 bar
81387	1/4 NPTF	1/2-27	9/16	9/16	
83594	1/4 NPTF	1/4 NPTF	9/16	9/16	
81729	1/2 NPTF	3/8 NPTF	7/8	1 1/16	
82073	1/2 NPTF	1/2 NPTF	7/8	7/8	

Feed Line Swivels

Used to connect flexible lines to components or devices where some movement is present. Not recommended for use as a live swivel where constant rotation is a requirement.

Feed Line Swivels—90° Angle Swivels

For lubricant feed lines. All models have a single swivel section and Buna N seals unless noted otherwise.



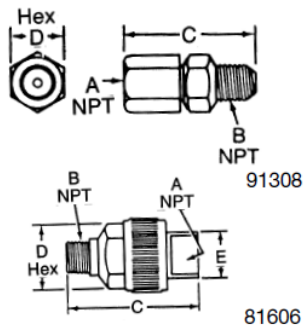
Part No.	A Inlet in.	B Outlet in.	C Length in.	D Hex in.	E Hex/Flat in.	F Flat in.
66717	1/8 O.D.	1/8	1 1/4	5/16	9/16	1/2
*66717-9	Tube	NPTF (M)				
91048	1/8	1/8	1 1/4	N/A	9/16	1/2
*91048-9	NPTF (F)	NPTF (M)				
*83722	1/8 O.D. Tube	1/4 -28	1 5/16	15/16	3/8	
83822	1/8 NPTF (F)	1/8 NPTF (F)	1 3/8	1/2	3/8	

* 303 Stainless Steel

Note: Models 91048 & 91048-9 are similar in appearance to 66717 & 66717-9, but do not include direct tube connections.

Feed Line Swivels—Straight Swivels

For lubricant feed lines. All models have a single swivel section and Buna N seals unless noted otherwise.



Part No.	A Thread in.	B Thread in.	C Length in.	D Hex in.	E Flat in.
91308	1/8	1/8	1 3/8	9/16	
*92131	NPTF (F)	NPTF (M)			
81606	1/8 NPTF (F)	1/8 NPT (M)	1 1/2	3/4	15/32

* With Viton® seals.